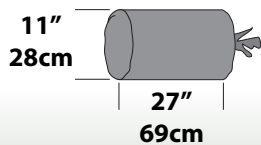
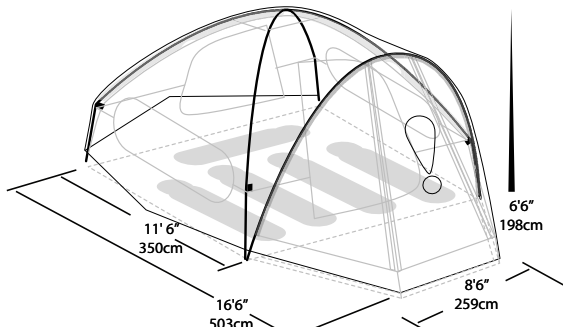


## RECREATIONAL Family

# Grand Manan Tour



lb.	MAX	27 lb 11 oz
	MIN	26 lb
kg.	MAX	12.25 kgs
	MIN	11.79 kgs

### Category

3 season recreation

*Versatile all-weather tent incorporating unique vertical end-section poles which create 21% more headroom and 16% more internal volume than a typical 2 pole dome.*

- All-weather and bug free camping in a 2 pole rectangular dome with 3rd pole supporting large screened vestibule
- Fly covering screen room can be configured in multiple ways including awning
- Venting Mesh side panels: Large side mesh panels for ventilation can be covered inside to retain warmth
- Full Covering venting Fly: Full coverage fly + vestibules, fly rolls-up on sides to expose mesh panels for ventilation
- 2 large, side-opening D-style doors with Hi/Low venting offer entry and access to rear vestibule
- N!ergy system compatible plus Power Port – ready to install the E! Power System
- Freestanding fiberglass frame with clips, pole sleeves, and post and grommet assembly make set up easy
- Aluminum frame version available
- Sleeps 5-6 person
- Optional footprints available
- Dimensions: L 16'6" x W 8'6" x H 6'6"  
Vestibule: 14.5 sq.ft.  
Screen room: 34.5 sq.ft.

<b>Frame</b>	Free-standing vertical end-section fiberglass 2 pole domes with fly/vestibule poles
<b>Fly</b>	75D Stormshield® polyester taffeta, 1500mm
<b>Wall</b>	68D polyester Taffeta
<b>Floor</b>	150D polyester, 2000mm
<b>Mesh</b>	40D polyester no-see-um
<b>Windows</b>	4 + 2 PU in vestibule fly
<b>Storage</b>	4 interior pockets to organize small items
<b>Colour</b>	Two tone Beige/Brown, Grey floor

